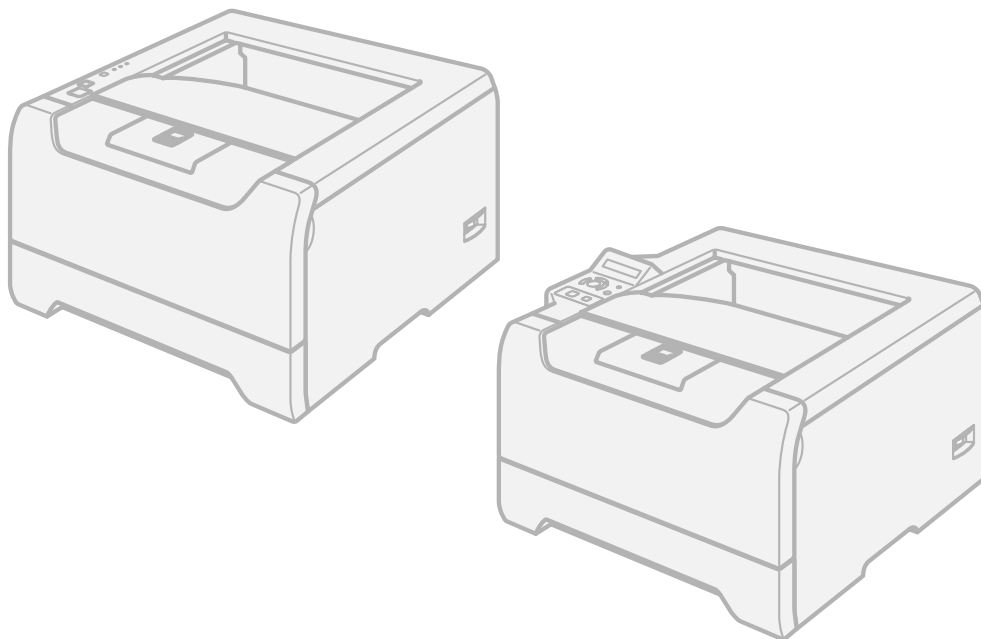




Brother Laser Printer **PARTS REFERENCE LIST**

**MODEL:
HL-5240/5240L/5250DN/
5270DN/5280DW/5250DNT**



Read this list thoroughly before maintenance work.

Keep this list in a convenient place for quick and easy reference at all times.

NOTE FOR USING THIS PARTS REFERENCE LIST

1. In the case of ordering parts, it is necessary to mention the following items;

- (1) Code
- (2) Q'ty
- (3) Description
- (4) Symbol (PCB No. etc)

< Example >

	(1)	(2)	(3)	(4)	
REF.NO.	CODE	Q'TY	DESCRIPTION	SYMBOL	REMARK

Revision No.: marked on the **main printed circuit board (Main PCB)**.

B48K056

----- Circuit board No.

2. Design-changed parts :

If any of the parts is changed, one of the following symbols is indicated in the REMARK column.

CHG(chg) : The parts is changed to a new parts.

ADD(add) : The parts is newly added.

DEL(del) : The parts is deleted.

Symbol in capital letters indicates the latest parts change information in the page.

3. The original parts reference list is based on the information available in September 2005.

4. Parts are subject to change in design without prior notice.

COUNTRIES AND AREAS

AP: Asia Pacific	HOL(NL): Holland(Netherlands)
ARG: Argentina	IBERIA: Spain/Portugal
ARL: Australia	IND: India
BEL: Belgium	ISR: Israel
BRZ: Brazil	ITA: Italy
CAN: Canada	KOR: Korea
CHI: Chile	NZ: New Zealand
CHN: China	PAN-NOR: Norway/Finland/Denmark/Sweden
EEU: EEU GENERAL (Bulgaria/Czech/Hungary/Poland/Romania/Slovakia)	RUS: Russia
EUR: Europe	SAF: South Africa
FRA: France	SGP/GULF: Singapore/Gulf
GER: Germany	SWI: Switzerland
	UK: U.K.
	US: U.S.A

LANGUEGES

BUL: Bulgarian	ITA: Italian
CHN: Chinese	NOR: Norwegian
CZE: Czech	KOR: Korean
DEN(DAN): Danish	POL: Polish
DUT: Dutch	POR: Portuguese
ENG: English	ROM: Romanian
FIN: Finnish	RUS: Russian
FRE: French	SVK: Slovak
GER: German	SPA: Spanish
HUN: Hungarian	SWE: Swedish

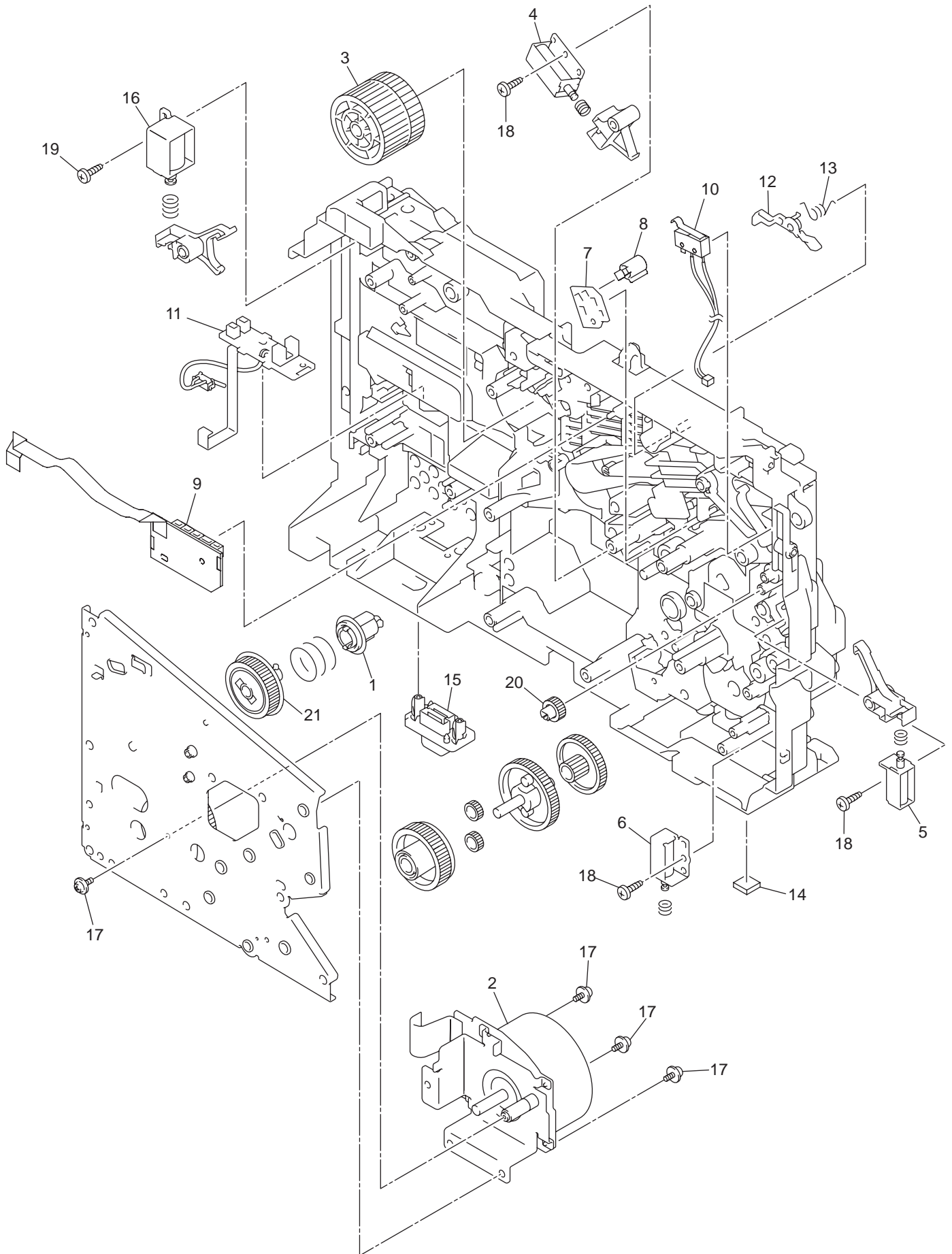
CONTENTS

1.	<u>FRAME L&DRIVE UNIT</u>	1
2.	<u>FRAME R UNIT</u>	3
3.	<u>FRAME UNIT</u>	5
4.	<u>LASER UNIT</u>	7
5.	<u>PAPER FEEDER</u>	9
6.	<u>DX</u>	11
7.	<u>PAPER TRAY</u>	13
8.	<u>FUSER UNIT</u>	15
9.	<u>COVERS&LABELS</u>	17
10.	<u>MAIN PCB</u>	19
11.	<u>LVPS</u>	21
12.	<u>HVPS</u>	23
13.	<u>AC CORDS</u>	25
14.	<u>ACCESSORIES</u>	27
15.	<u>PACKING MATERIALS</u>	29
16.	<u>PERIODICAL MAINTENANCE PARTS</u>	31

1. FRAME L&DRIVE UNIT

REF No.	CODE	Q'TY	DESCRIPTION	REMARKS
1	LM4227001	1	DEVELOP JOINT	
2	LM5047001	1	MAIN MOTOR ASSY AL	
3	LM5048001	1	FUSER GEAR 39 H/R DRIVE	
4	LM5058001	1	REGISTER SOLENOID ASSY	
5	LM5062001	1	MP SOLENOID ASSY	
6	LM5067001	1	T1 SOLENOID ASSY	
7	LJ9935001	1	TONER SENSOR PCB ASSY AL	
8	UL9037001	1	PT SENSOR HOLDER	
9	LJ9938001	1	RELAY FRONT PCB ASSY AL	
10	LJ9940001	1	INTERLOCK SW ASSY AL	
11	LJ9942001	1	RELAY REAR PCB ASSY AL (HL-5250DN/5251DN/5270DN/5280DW)	
11	LM9168001	1	RELAY REAR PCB 2 ASSY AL (HL-5240/5240L)	chg
12	LM5085001	1	NEW TONER ACTUATOR	
13	LM5086001	1	NEW TONER ACTUATOR SPRING	
14	LJ7403001	1	RUBBER FOOT	
15	LJ9945001	1	CONNECTOR 54702-1219	
16	LM5011001	1	EJECTOR SOLENOID (HL-5250DN/5251DN/5270DN/5280DW)	
17	087320616	4	TAPTITE CUP S M3x6	
18	085311016	3	TAPTITE BIND B M3x10	
19	085311016	1	TAPTITE BIND B M3x10 (HL-5250DN/5251DN/5270DN/5280DW)	
20	LM5104001	1	GEAR 17 MP ROLLER DRIVE	add
21	LM5043001	1	DEV GEAR 37R JOINT DRIVE	ADD

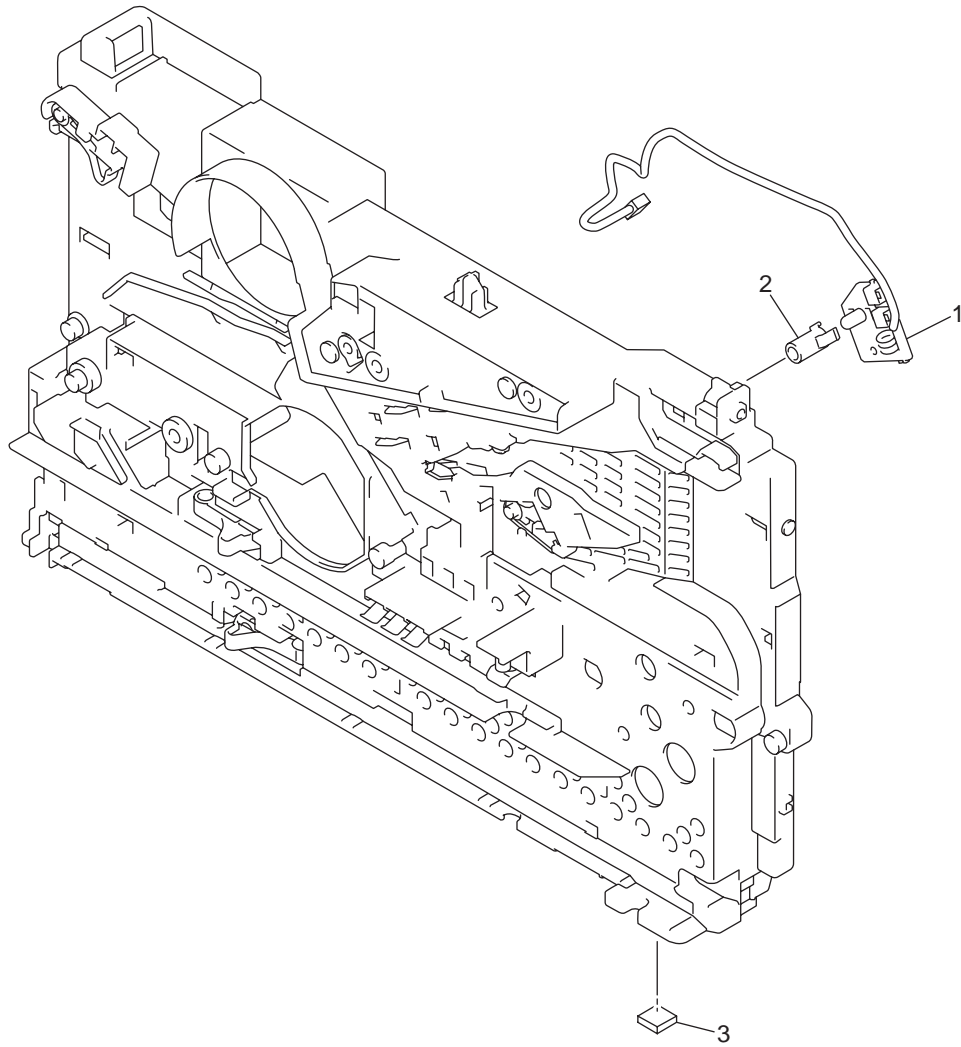
1. FRAME L&DRIVE UNIT



2. FRAME R UNIT

REF No.	CODE	Q'TY	DESCRIPTION	REMARKS
1	LM9022001	1	TONER LED PCB ASSY AL	
2	LM4267001	1	LED HOLDER	
3	LJ7403001	1	RUBBER FOOT	

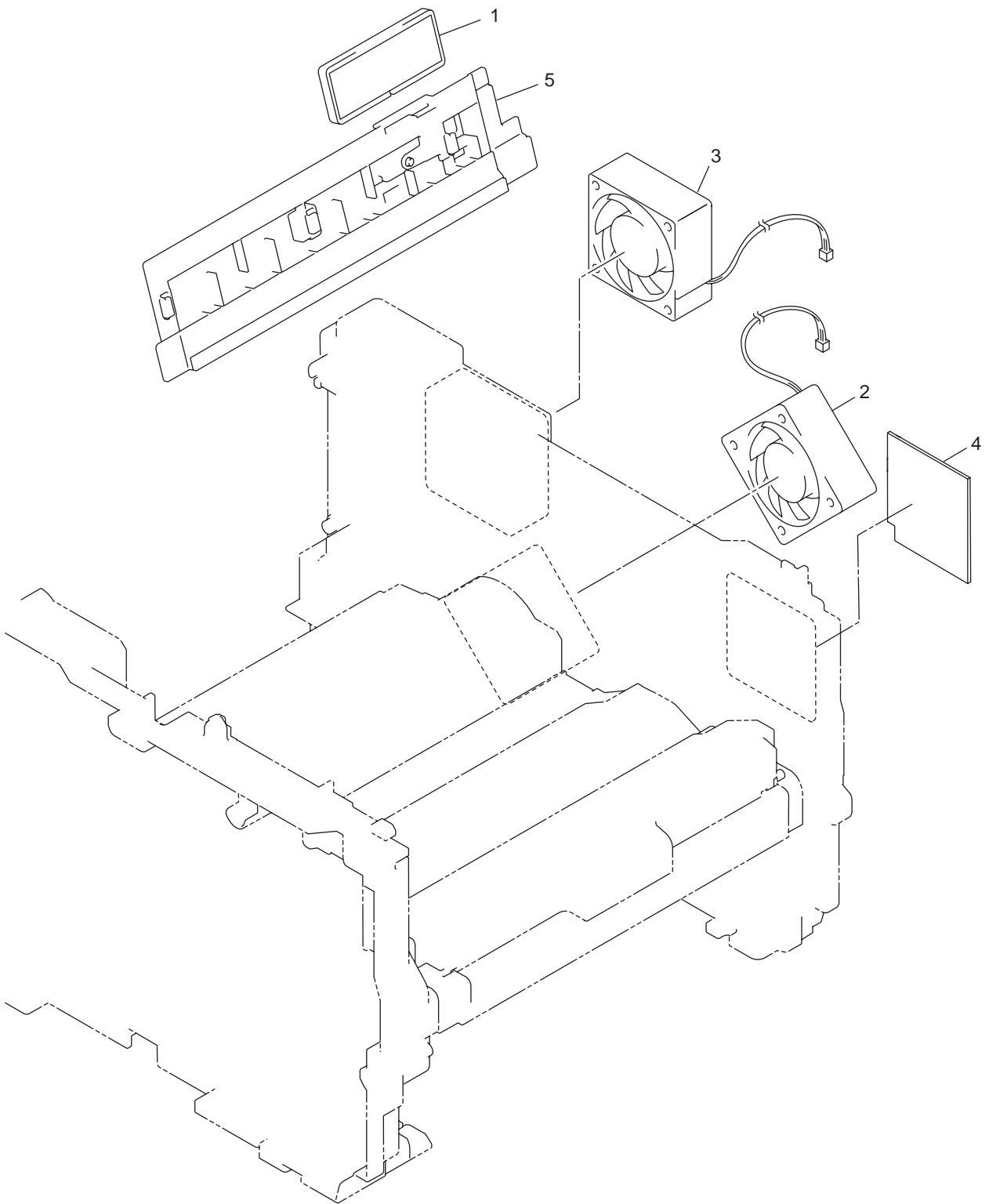
2. FRAME R UNIT



3. FRAME UNIT

REF No.	CODE	Q'TY	DESCRIPTION	REMARKS
1	LM2445001	1	FILTER	
2	LM5114001	1	FAN MOTOR 60 UNIT LV	
3	LM5116001	1	FAN MOTOR 60 UNIT	
4	LG6846001	1	PCB T60H929.00 ASSY 02 (HL-5280DW)	chg
5	LM6655001	1	AIR DUCT ASSY AL	ADD

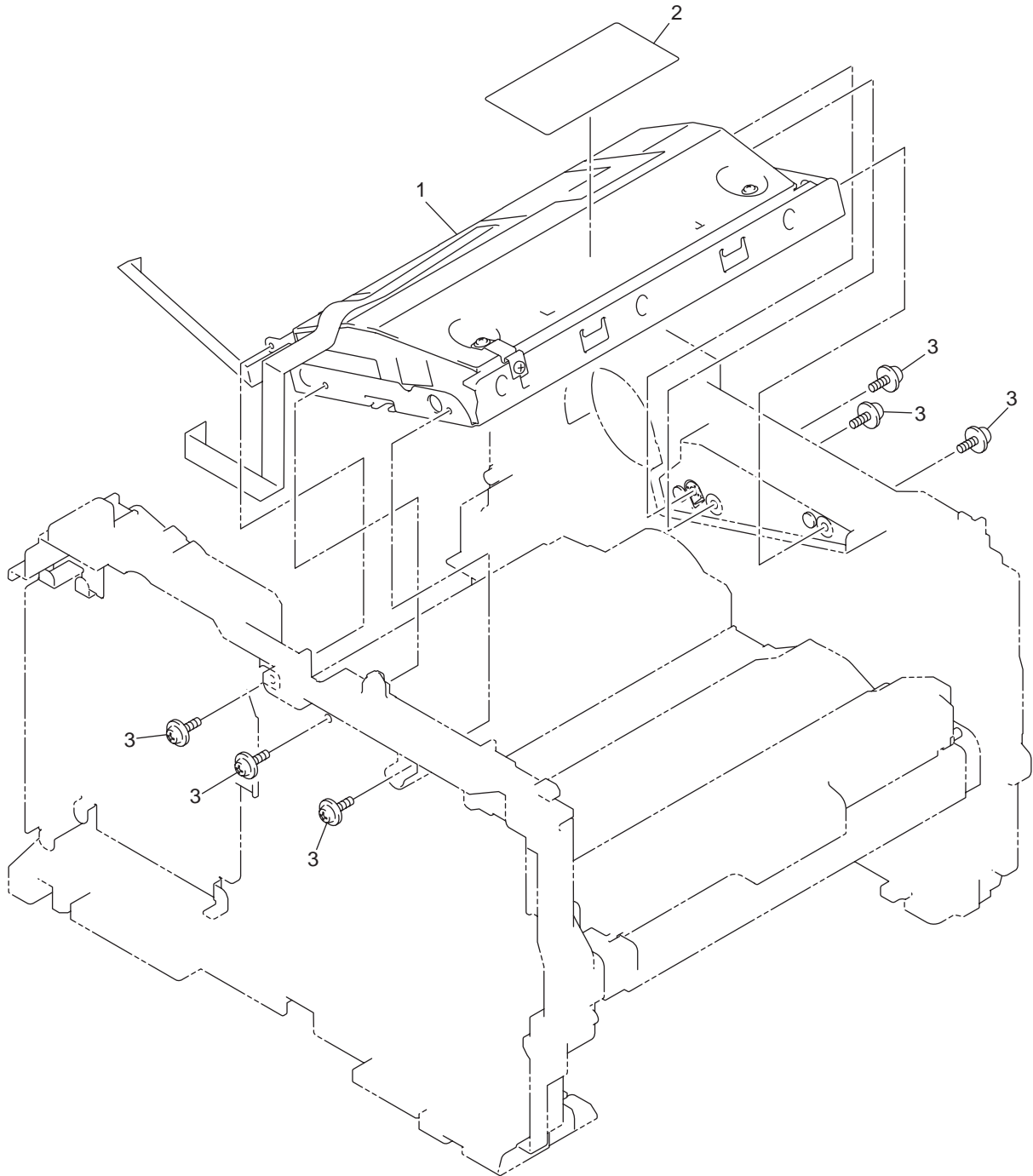
3. FRAME UNIT



4. LASER UNIT

REF No.	CODE	Q'TY	DESCRIPTION	REMARKS
1	LM5750001	1	LASER UNIT AL (SP)	
2	LJ0908001	1	LASER CAUTION LABEL B	
2	UL7931001	1	LASER CAUTION LABEL CHN	
3	087320616	6	TAPTAITE CUP S M3x6	

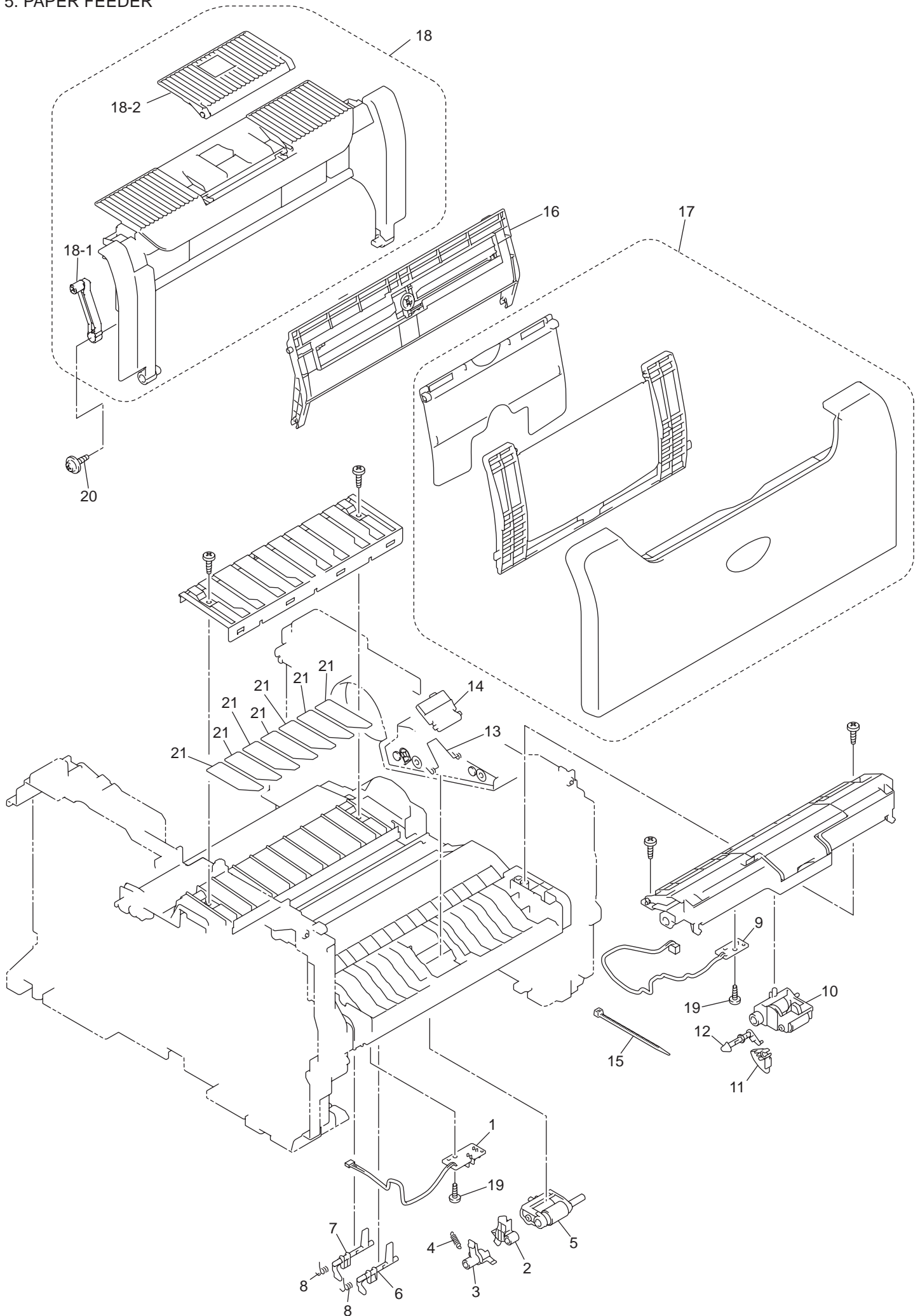
4. LASER UNIT



5. PAPER FEEDER

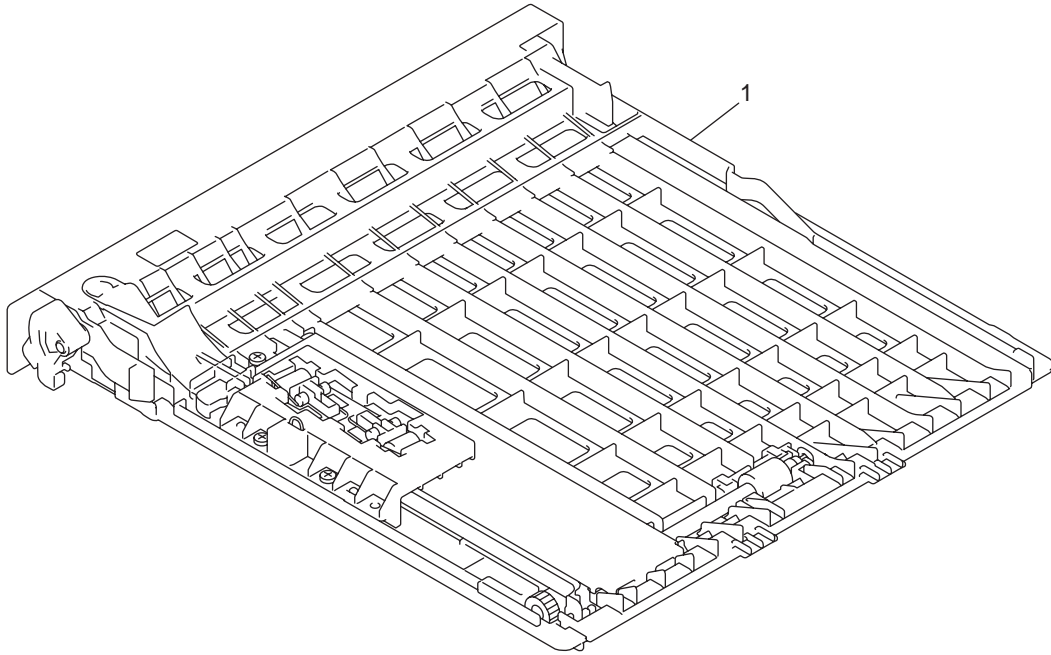
REF No.	CODE	Q'TY	DESCRIPTION	REMARKS
1	LM9001001	1	PE EG SENSOR ASSY	
2	LM5131001	1	PE ACTUATOR	
3	LM5132001	1	EDGE ACTUATOR	
4	LM5133001	1	EDGE ACTUATOR SPRING	
5	LM5140001	1	ROLLER HOLDER ASSY	
6	LM5150001	1	REGIST ACTUATOR FRONT	
7	LM5151001	1	REGIST ACTUATOR REAR	
8	LM5152001	2	REGIST ACTUATOR SPRING	
9	LJ9999001	1	MP PE SENSOR ASSY	
10	LM5165001	1	MP ROLLER HOLDER ASSY	
11	LM5171001	1	PE ACTUATOR MP	
12	LU0027001	1	PE ACTUATOR MP B 2	chg
13	LM6490001	1	MP SEPARATION SPRING A	chg
14	LM6752001	1	SEPARATION PAD ASSY MP 2	chg
15	LJ8657001	1	BINDER 2.3X7.9	
16	LM5196001	1	TRAY MP ASSY	
17	LM5201001	1	MP TRAY COVER ASSY	
18	LM5205001	1	PROCESS COVER ASSY AL	
18	LM5205002	1	PROCESS COVER ASSY AL (HL-5240L)	
18	LM5962001	1	PROCESS COVER ASSY AL CHN	add
18	LM6964001	1	PROCESS COVER ASSY AL IND	add
18	LM7031001	1	RPROCESS COVER ASSY (HL-5251DN)	ADD
18-1	LM5124001	1	PROCESS COVER STOPPER	
18-2	LM5208001	1	SUPPORT FLAP AL	
18-2	LM5208002	1	SUPPORT FLAP AL (HL-5240L)	
19	085310816	2	TAPTITE BIND B M3x8	
20	087411016	1	TAPTITE CUP B M4X10	
21	LM6584001	7	ANTISTATIC FILM SWI	add

5. PAPER FEEDER



6. DX

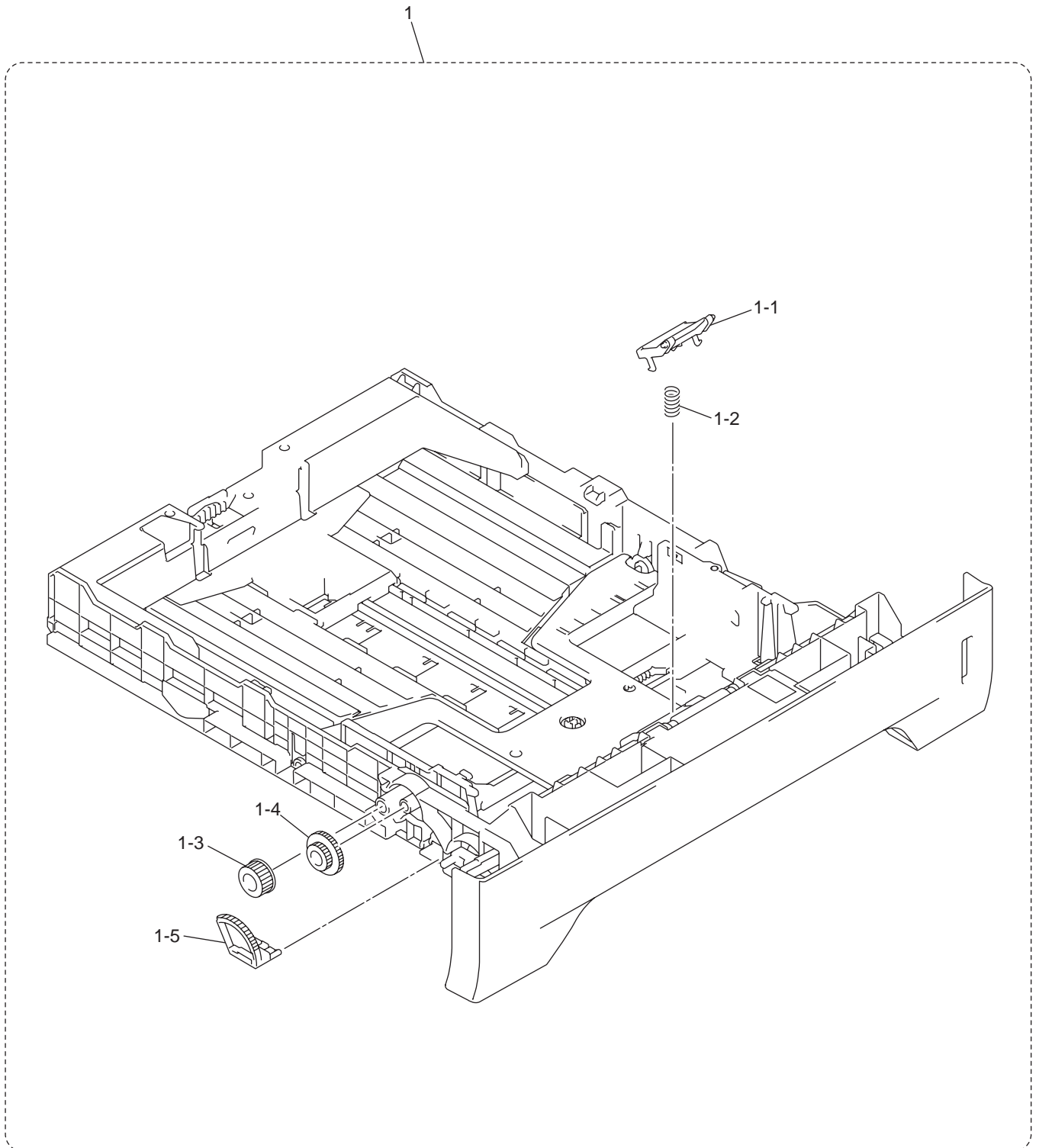
REF No.	CODE	Q'TY	DESCRIPTION	REMARKS
1	LM5209001	1	DX FEED ASSY LTR AL	
1	LM5421001	1	DX FEED ASSY A4 AL	



7. PAPER TRAY

REF No.	CODE	Q'TY	DESCRIPTION	REMARKS
1	LM5738001	1	PAPER TRAY UNIT US	
1	LM5739001	1	PAPER TRAY UNIT EUR	
1	LM6568001	1	PAPER TRAY UNIT A4 S	add
1	LM6957001	1	PAPER TRAY UNIT UNIV IND	ADD
1	LU0629001	1	PAPER TRAY UNIT 5240L SP	
1-1	LM5237001	1	SEPARATION PAD ASSY	
1-2	LM5239001	1	SEPARATION PAD SPRING	
1-3	LM5245001	1	GEAR 15	
1-4	LM5246001	1	GEAR 21-16	
1-5	LM5247001	1	LIFT GEAR 46	

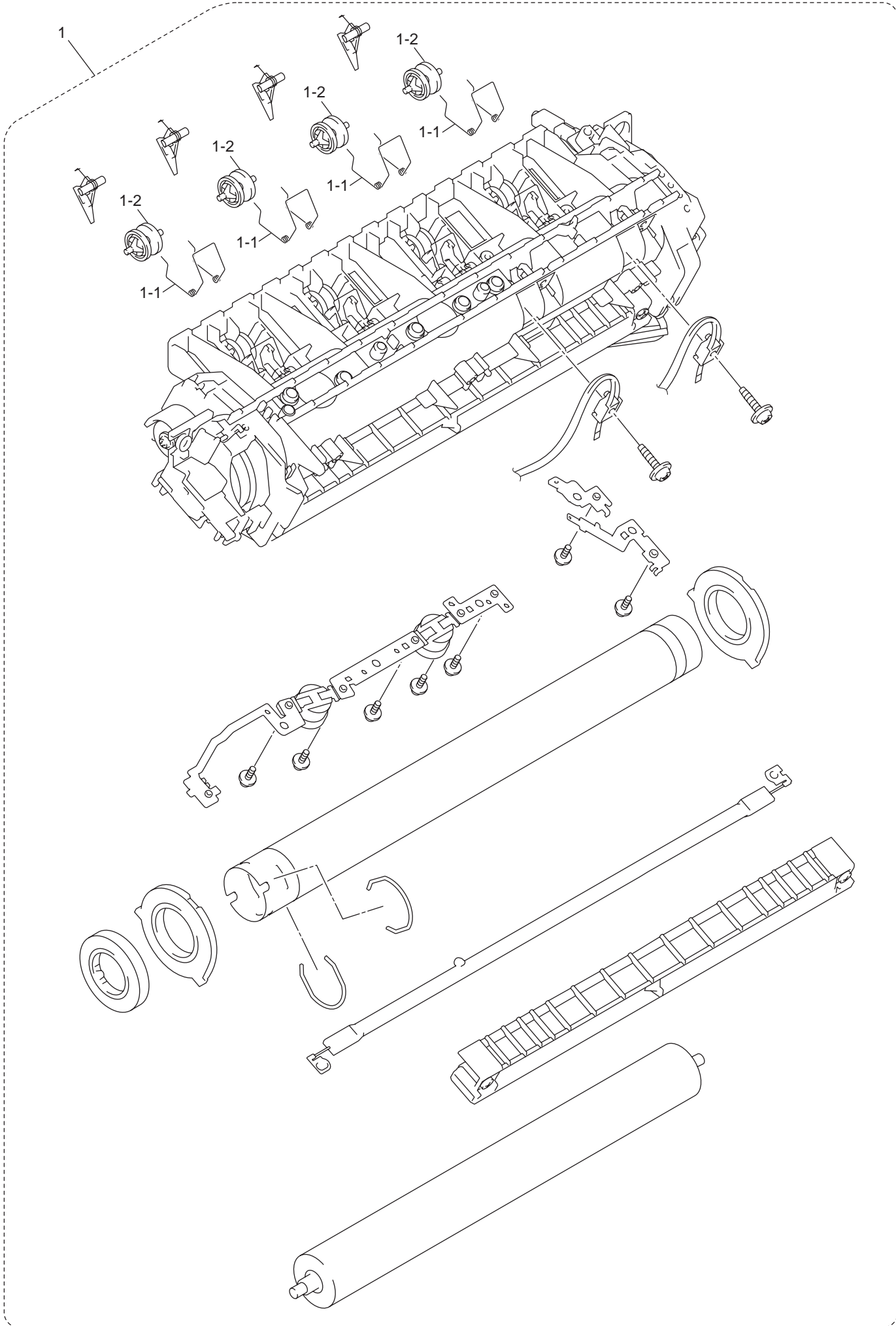
7. PAPER TRAY



8. FUSER UNIT

REF No.	CODE	Q'TY	DESCRIPTION	SYMBOL	REMARKS
1	LU0214001	1	FUSER UNIT 115V (SP)		chg
1	LU0215001	1	FUSER UNIT 230V (SP)		chg
1	LU0217001	1	FUSER UNIT 230V EUR (SP)		chg
1	LU0216001	1	FUSER UNIT 230V IND (SP)		CHG
4	LU0112001	4	FUSER UNIT 230V SNG (SP)		del
1-1	LM5408001	4	PRESSURE SPRING		add
1-2	LM5513001	4	EJECT PINCH ROLLER M		add

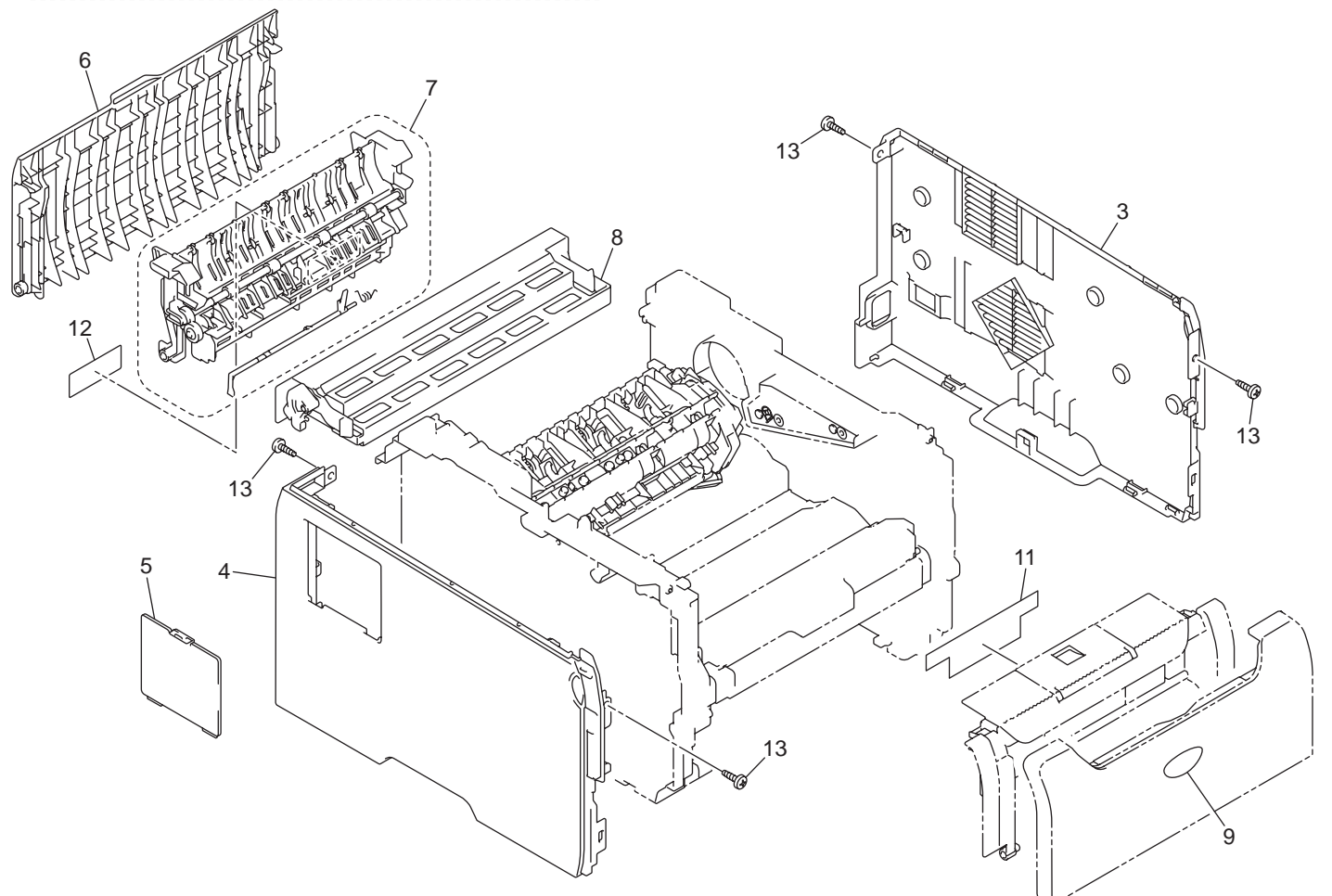
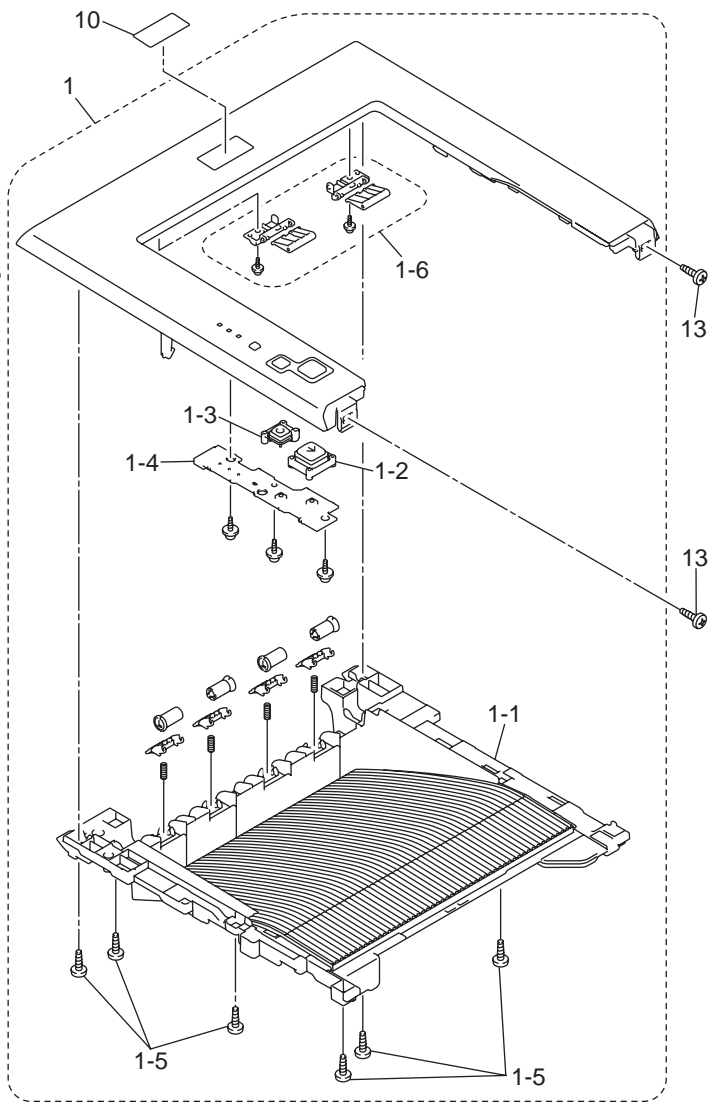
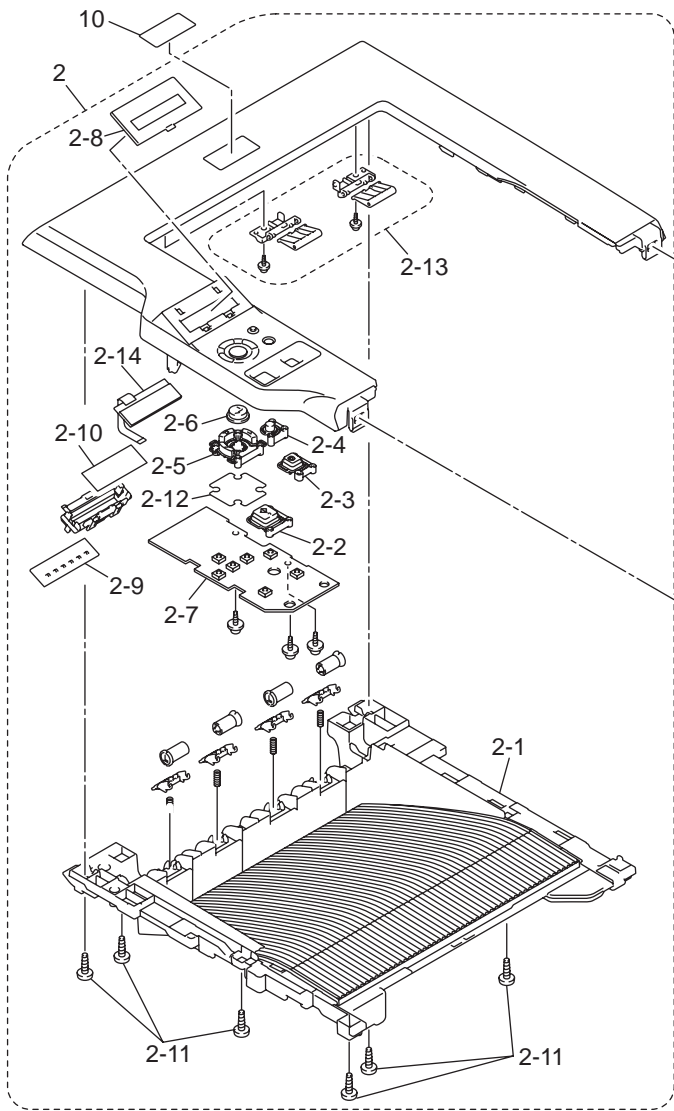
8. FUSER UNIT



9. COVERS&LABELS

REF No.	CODE	Q'TY	DESCRIPTION	REMARKS
1	LU0126001	1	TOP COVER ASSY AL PSL (HL-5240/5250DN/5251DN)	chg
1	LU0126002	1	TOP COVER ASSY AL PSL (HL-5240L)	
4	LU0231004	4	TOP COVER ASSY AL MOF BEL PSL (HL-5240 MOF BEL)	del
1-1	LM5269001	1	INNER CHUTE AL	
1-1	LM5269005	1	INNER CHUTE AL (HL-5240L)	
1-2	LM5083001	1	SW KEY A	
1-3	LM5084001	1	SW KEY B	
1-4	LJ9933001	1	PANEL PCB ASSY AL	
1-5	085411216	6	TAPTITE BIND B M4x12	
1-6	LU0160001	1	PAPER STACK LEVER ASSY AL	add
2	LU0125001	1	TOP COVER 2 ASSY 5270 PSL	chg
2	LU0232001	1	TOP COVER 2 ASSY 5280 PSL	chg
2-1	LM5269001	1	INNER CHUTE AL	
2-2	LM5530001	1	SW KEY A	
2-3	LM5531001	1	SW KEY B	
2-4	LM5532001	1	SW KEY C	
2-5	LM5635001	1	SET KEY PRINTED ASSY	
2-6	LM5534001	1	KEY TOP	
2-7	LM9041001	1	LCD PANEL PCB ASSY AL	
2-8	LM5535001	1	PANEL PLATE PRINTED ASSY 5270	
2-8	LM5768001	1	PANEL PLATE PRINTED ASSY 5280	
2-9	LM9043001	1	BACK LIGHT PCB ASSY AL	
2-10	LE7130001	1	BACK LIGHT FILM	
2-11	085411216	7	TAPTITE BIND B M4x12	
2-12	LM5882001	1	SET KEY FILM	
2-13	LU0160001	1	PAPER STACK LEVER ASSY AL	add
2-14	LG6059001	1	LCD	add
3	LM5778001	1	SIDE COVER R ASSY AL	
3	LM5778005	1	SIDE COVER R ASSY AL (HL-5240L)	
4	LM5780001	1	SIDE COVER L ASSY AL (HL-5240/5250DN/5251DN)	
4	LM5779001	1	SIDE COVER L 2 ASSY AL (HL-5270DN/5280DW)	
4	LU0282001	1	SIDE COVER L ASSY AL MOF (HL-5240 MOF BEL)	add
4	LU0634001	1	SIDE COVER L ASSY 5240L	
5	LM5273001	1	ACCESS COVER AL	
5	LM5273005	1	ACCESS COVER AL (HL-5240L)	
6	LM5274001	1	REAR COVER AL	
6	LM5274005	1	REAR COVER AL (HL-5240L)	
7	LU0278001	1	OUTER CHUTE ASSY2 EL20	CHG
7	LU0277001	1	OUTER CHUTE ASSY2 EL25 (US, CAN)	add chg
8	LM5424001	1	DX COVER (HL-5240)	
8	LM5424005	1	DX COVER (HL-5240L)	
9	LM5771001	1	BROTHER EMBLEM AL	
9	LM5771002	1	BROTHER EMBLEM AL (HL-5240L)	
10	LM5521001	1	MODEL PLATE 5240	
10	LU0524001	1	MODEL PLATE 5240L	
10	LM5284001	1	MODEL PLATE 5250	
10	LM5537001	1	MODEL PLATE 5270	
10	LM5604001	1	MODEL PLATE 5280	
10	LU0059001	1	MODEL PLATE 5251	add
11	LM5542001	1	PROCESS UNIT OP LABEL AL US	
11	LM5834001	1	PROCESS UNIT OP LABEL AL EUR	
11	LM5835001	1	PROCESS UNIT OP LABEL AL AP	
11	LM5836001	1	PROCESS UNIT OP LABEL AL CHN	
11	LU0060001	1	PROCESS UNIT OP LABEL AL ITA (HL-5251DN)	add
12	LM5758001	1	RELEASE LABEL	
13	085411216	6	TAPTITE BIND B M4x12	

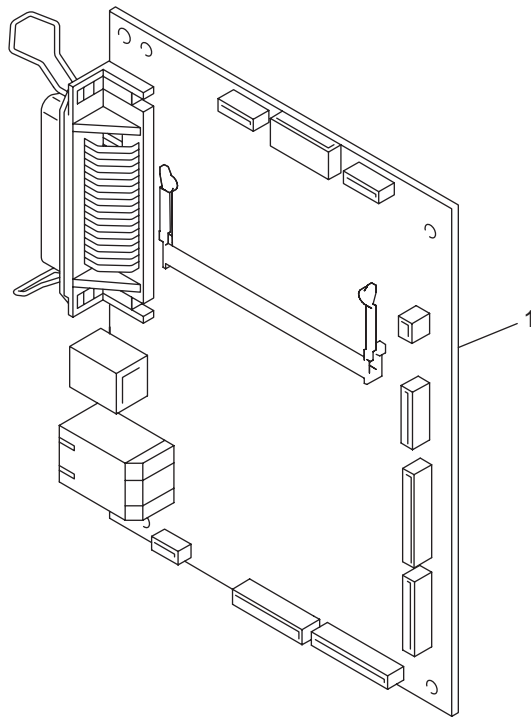
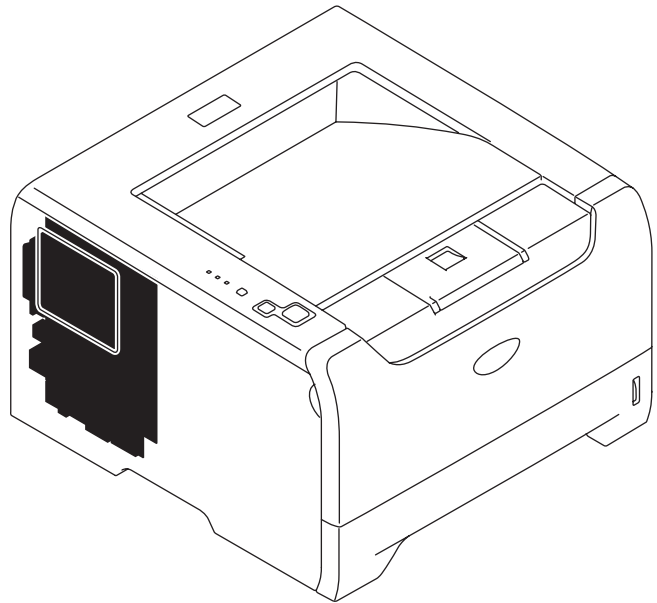
9. COVERS&LABELS



10. MAIN PCB

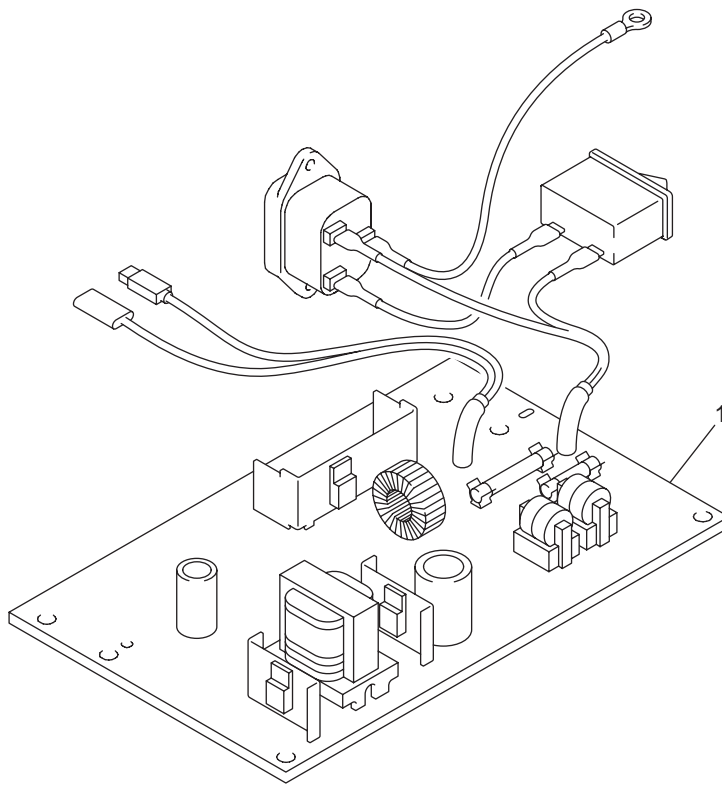
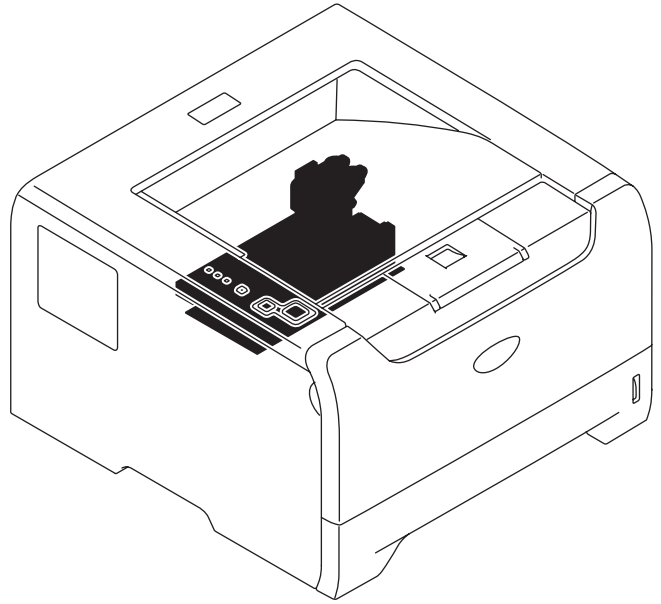
REF No.	CODE	Q'TY	DESCRIPTION	SYMBOL	REMARKS
1	LM9076001	1	MAIN PCB ASSY 5240		
1	LV0119001	1	MAIN PCB ASSY 5240L		
1	LM9077001	1	MAIN PCB ASSY 5250		
1	LM9110001	1	MAIN PCB ASSY 5270		
1	LM9064001	1	MAIN PCB ASSY 5280DW US		
1	LM9138001	1	MAIN PCB ASSY 5280DW EU		
1	LM9169001	1	MAIN PCB ASSY 5240 CHN		add
1	LM9170001	1	MAIN PCB ASSY 5250 CHN		add
1	LM9429001	1	MAIN PCB ASSY 5240 IND		add
1	LM9430001	1	MAIN PCB ASSY 5250 IND		add
1	LV0048001	1	MAIN PCB ASSY 5250 KOR		ADD

10. MAIN PCB



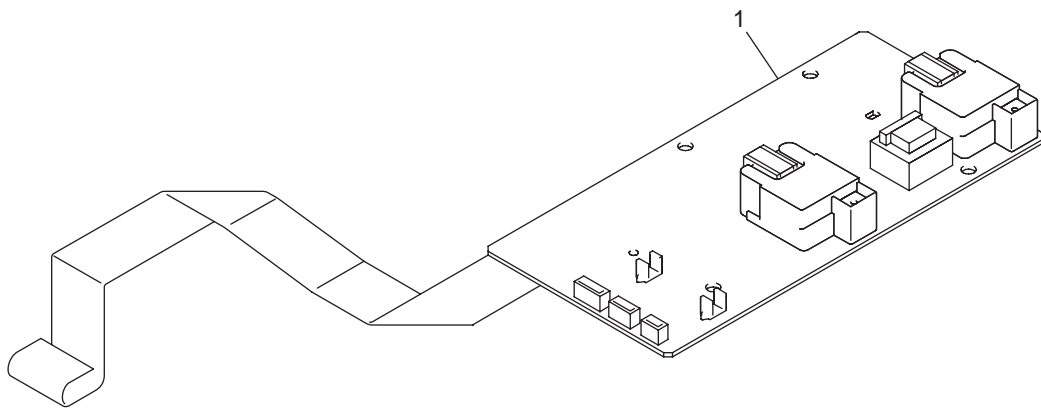
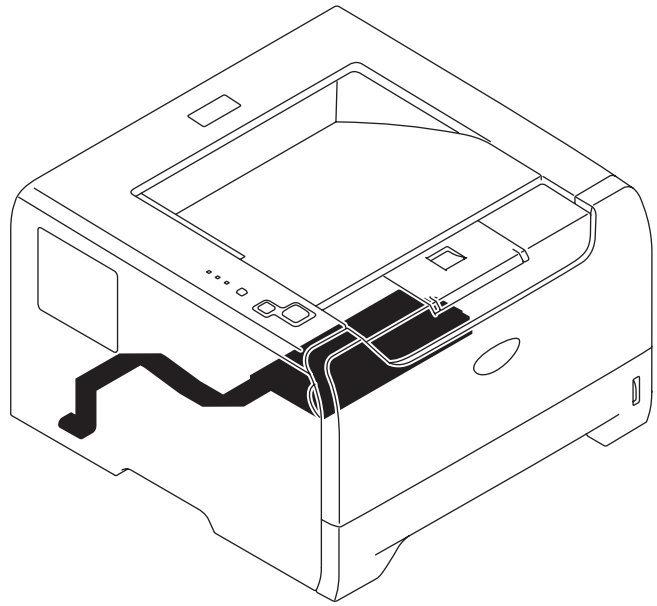
11. LVPS

REF No.	CODE	Q'TY	DESCRIPTION	REMARKS
1	LJ9979001	1	PS PCB UNIT AL 115V	
1	LJ9983001	1	PS PCB UNIT AL 230V	
1	LM9088001	1	PS PCB UNIT AL CHN (CHN, IND, RUS)	CHG



12. HVPS

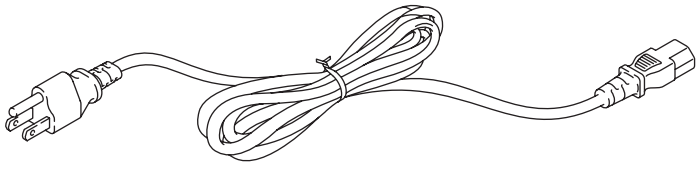
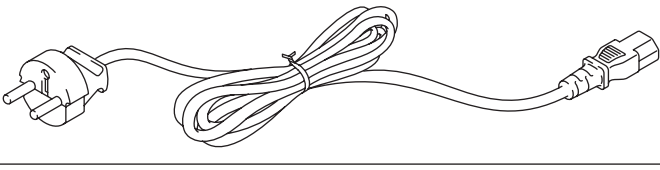
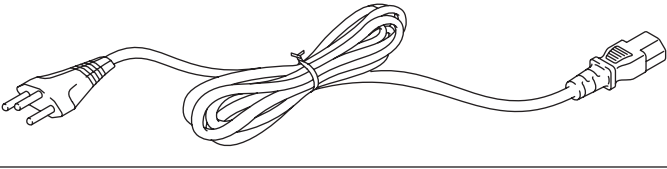
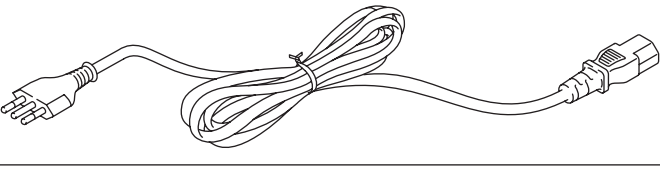
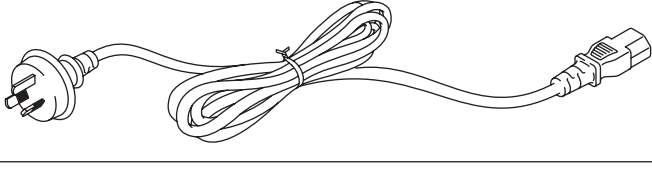
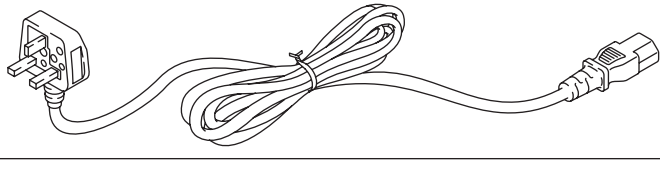
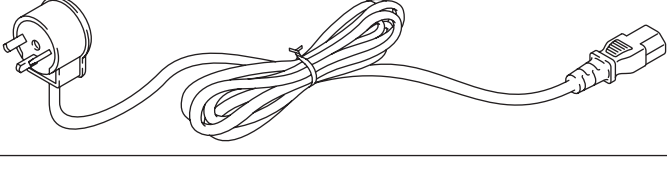
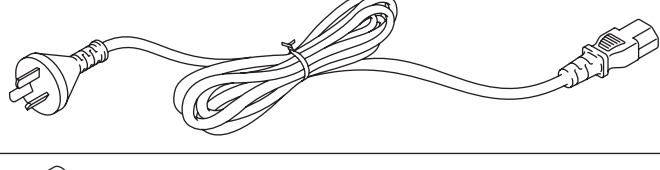
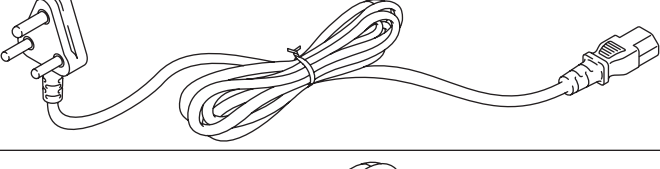
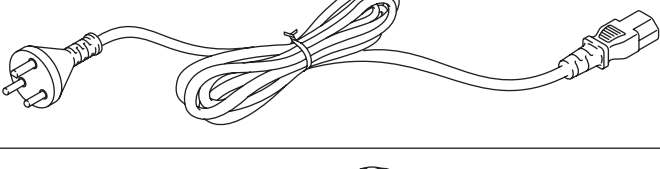

REF No.	CODE	Q'TY	DESCRIPTION	REMARKS
1	LJ9978001	1	HIGH-VOLTAGE PS PCB ASSY AL	



13. AC CORDS

REF No.	CODE	Q'TY	DESCRIPTION	REMARKS
1A	LJ9271001	1	AC CORD ASSY LF UL/CSA 10A	
1B	LJ9103001	1	AC CORD ASSY LF VDE	
1C	LJ9254001	1	AC CORD ASSY LF SEV	
1D	LJ9294001	1	AC CORD ASSY LF CHILE	
1E	LJ9666001	1	AC CORD LF SAA	
1F	LJ9921001	1	AC CORD ASSY LF, BS/PSB	
1G	LM9288001	1	AC CORD ASSY LF, ISRAEL	CHG
1H	LJ9338001	1	AC CORD ASSY LF, CHINA	
1I	LJ9295001	1	AC CORD ASSY LF, SOUTH AFRICA	
1J	LJ9256001	1	AC CORD ASSY LF, DEMKO	
1K	LJ9727001	1	AC CORD LF, ARG	

13. AC CORDS

1A	
1B	
1C	
1D	
1E	
1F	
1G	
1H	
1I	
1J	
1K	

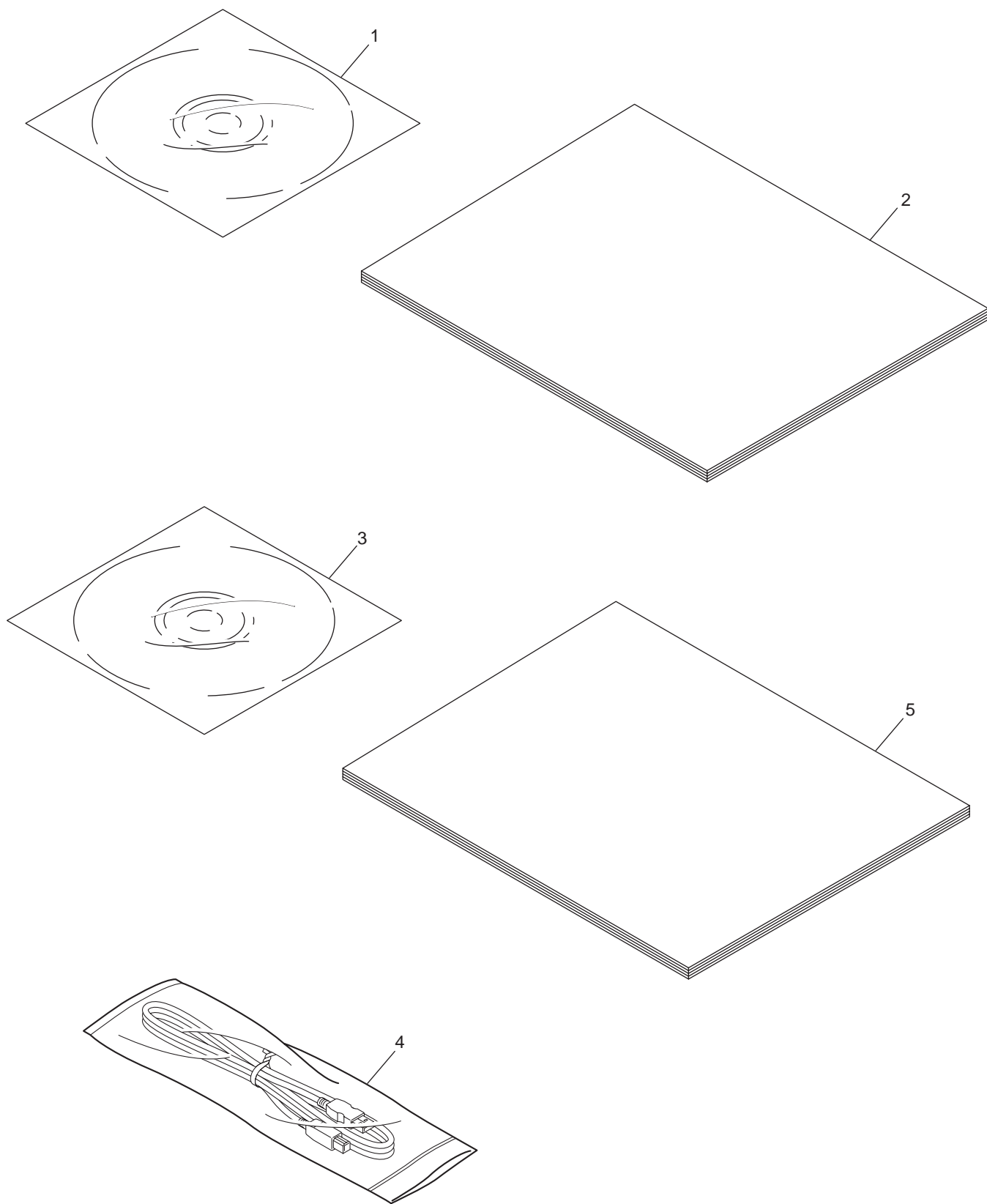
14. ACCESSORIES

REF No.	CODE	Q'TY	DESCRIPTION	REMARKS
1	LU0015001	1	CD ASSY 40/50 S AL	chg
4	LM5594004	4	CD ASSY 70 AL	del
1	LM6464001	1	CD ASSY 70/80 AL	chg
1	LM6232001	1	CD ASSY AL CHN	
4	LM5997004	4	CD ASSY 40/50AL EEU/RUS	del
1	LM5903001	1	CD ASSY AL EEU/RUS	add
1	LM6785001	1	CD ASSY HL-5240 KOR	add
1	LU0244001	1	CD ASSY AL KOR (HL-5250DN KOR)	add
1	LM6947001	1	CD ASSY 40/50 AL IND	add
2	LM5292004	4	SET GUIDE AL ENG	del
2	LM6472001	1	SET GUIDE AL ENG UNIV	chg
2	LM5668001	1	SET GUIDE AL-LCD ENG	
2	LM5678004	4	SET GUIDE AL W ENG	del
2	LM6475001	1	SET GUIDE AL-W ENG UNIV	chg
2	LM5628004	4	SET GUIDE AL FRE	del
2	LM6473001	1	SET GUIDE AL FRE UNIV	chg
2	LM5667001	1	SET GUIDE AL-LCD FRE	
2	LM5680004	4	SET GUIDE AL W FRE	del
2	LM6476001	1	SET GUIDE AL-W FRE UNIV	chg
2	LM5618001	1	SET GUIDE AL GER	
2	LM5666001	1	SET GUIDE AL-LCD GER	
2	LM5679001	1	SET GUIDE AL-W GER	
2	LM5651004	4	SET GUIDE AL SPA	del
2	LM6474001	1	SET GUIDE AL SPA UNIV	chg
2	LM5671001	1	SET GUIDE AL-LCD SPA	
2	LM5683001	1	SET GUIDE AL-W SPA	
2	LM5652001	1	SET GUIDE AL POR	
2	LM5672001	1	SET GUIDE AL-LCD POR	
2	LM5684001	1	SET GUIDE AL-W POR	
2	LM5638001	1	SET GUIDE AL ITA	
2	LM5670001	1	SET GUIDE AL-LCD ITA	
2	LM5682001	1	SET GUIDE AL-W ITA	
2	LM5657001	1	SET GUIDE AL CHN	
2	LM5653001	1	SET GUIDE AL NOR	
2	LM5673001	1	SET GUIDE AL-LCD NOR	
2	LM5685001	1	SET GUIDE AL-W NOR	
2	LM5662001	1	SET GUIDE AL SWE	
2	LM5674001	1	SET GUIDE AL-LCD SWE	
2	LM5686001	1	SET GUIDE AL-W SWE	
2	LM5663001	1	SET GUIDE AL DAN	
2	LM5675001	1	SET GUIDE AL-LCD DAN	
2	LM5687001	1	SET GUIDE AL-W DAN	
2	LM5664001	1	SET GUIDE AL FIN	
2	LM5676001	1	SET GUIDE AL-LCD FIN	
2	LM5688001	1	SET GUIDE AL-W FIN	
2	LM5665001	1	SET GUIDE AL DUT	
2	LM5669001	1	SET GUIDE AL-LCD DUT	
2	LM5681001	1	SET GUIDE AL-W DUT	
2	LM5893001	1	SET GUIDE AL RUS	add
2	LM5896001	1	SET GUIDE AL-LCD RUS	add
2	LM5891001	1	SET GUIDE AL ENG/CZE/HUN	add
2	LM5894001	1	SET GUIDE AL-LCD ENG/CZE/HUN	add
2	LM5892001	1	SET GUIDE AL POL/BUL/ROM	add
2	LM5895001	1	SET GUIDE AL-LCD POL/BUL/ROM	add
2	LM6945001	1	SET GUIDE 40/50 AL IND	add
3	LU0425001	1	CD-ROM ASSY VISTA EU/US	CHG
3	LU0426001	1	CD-ROM ASSY VISTA CHN/ENG	ADD
3	LU0429001	1	CD-ROM ASSY VISTA EEU/RUS	ADD
3	LU0430001	1	CD-ROM ASSY VISTA KOR	ADD
4	LJ9803001	1	USB CABLE 2.0 CHN	add
5	LU0354001	1	SETUP GUIDE VISTA ENG	ADD
5	LU0370001	1	SETUP GUIDE VISTA W ENG	ADD
5	LU0355001	1	SETUP GUIDE VISTA GER	ADD

14. ACCESSORIES

REF No.	CODE	Q'TY	DESCRIPTION	REMARKS
5	LU0371001	1	SETUP GUIDE VISTA W GER	ADD
5	LU0356001	1	SETUP GUIDE VISTA FRE	ADD
5	LU0372001	1	SETUP GUIDE VISTA W FRE	ADD
5	LU0357001	1	SETUP GUIDE VISTA DUT	ADD
5	LU0373001	1	SETUP GUIDE VISTA W DUT	ADD
5	LU0358001	1	SETUP GUIDE VISTA ITA	ADD
5	LU0374001	1	SETUP GUIDE VISTA W ITA	ADD
5	LU0359001	1	SETUP GUIDE VISTA SPA	ADD
5	LU0375001	1	SETUP GUIDE VISTA W SPA	ADD
5	LU0360001	1	SETUP GUIDE VISTA POR	ADD
5	LU0376001	1	SETUP GUIDE VISTA W POR	ADD
5	LU0361001	1	SETUP GUIDE VISTA NOR	ADD
5	LU0377001	1	SETUP GUIDE VISTA W NOR	ADD
5	LU0362001	1	SETUP GUIDE VISTA SWE	ADD
5	LU0378001	1	SETUP GUIDE VISTA W SWE	ADD
5	LU0363001	1	SETUP GUIDE VISTA DAN	ADD
5	LU0379001	1	SETUP GUIDE VISTA W DAN	ADD
5	LU0364001	1	SETUP GUIDE VISTA FIN	ADD
5	LU0380001	1	SETUP GUIDE VISTA W FIN	ADD
5	LU0365001	1	SETUP GUIDE VISTA ENG/CEZ/HUN	ADD
5	LU0366001	1	SETUP GUIDE VISTA POL/BUL/ROM	ADD
5	LU0367001	1	SETUP GUIDE VISTA RUS	ADD
5	LU0368001	1	SETUP GUIDE VISTA CHN	ADD

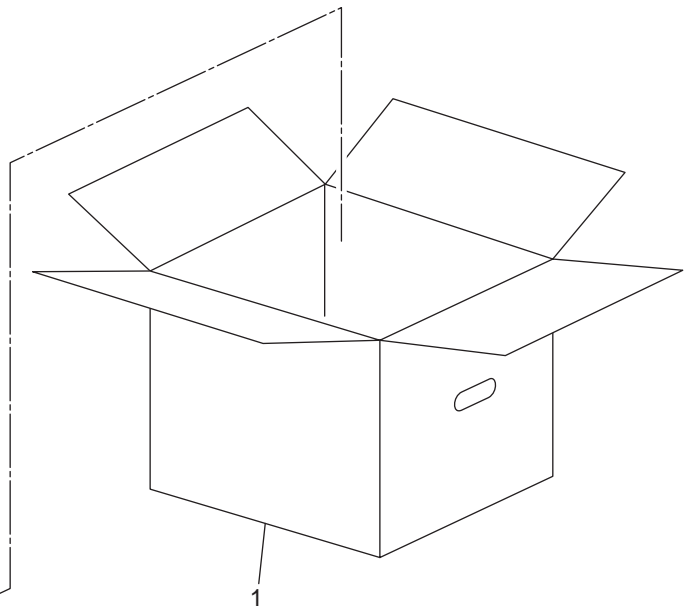
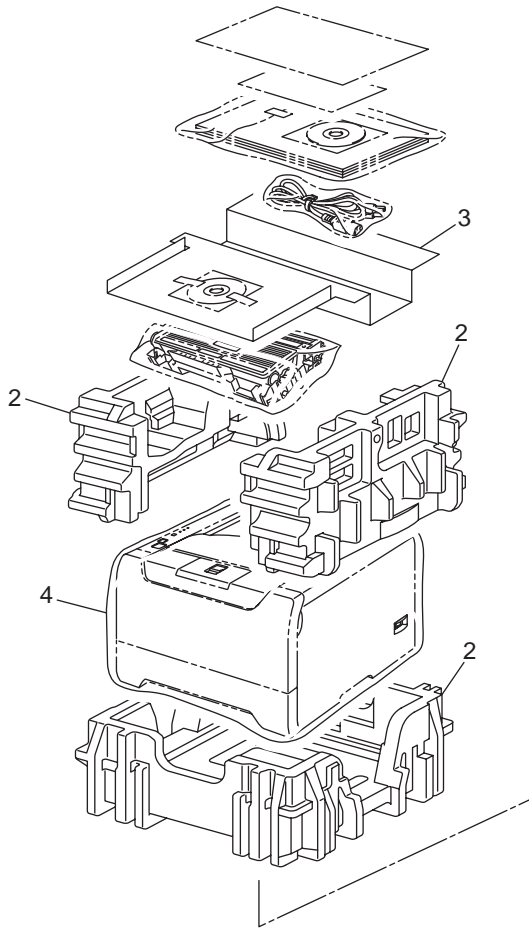
14. ACCESSORIES



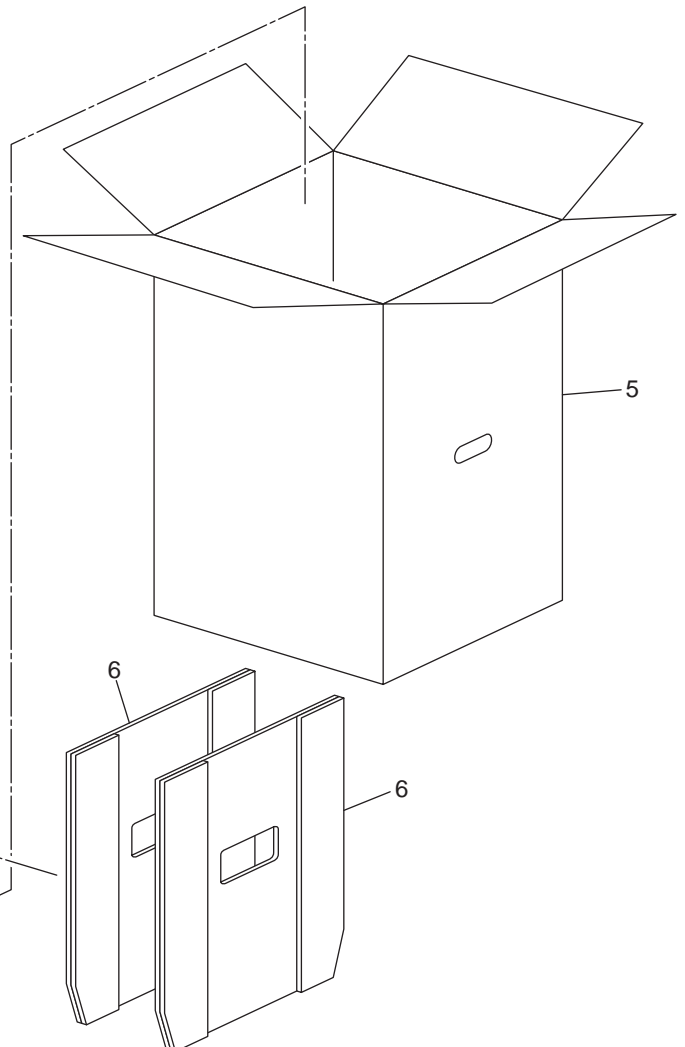
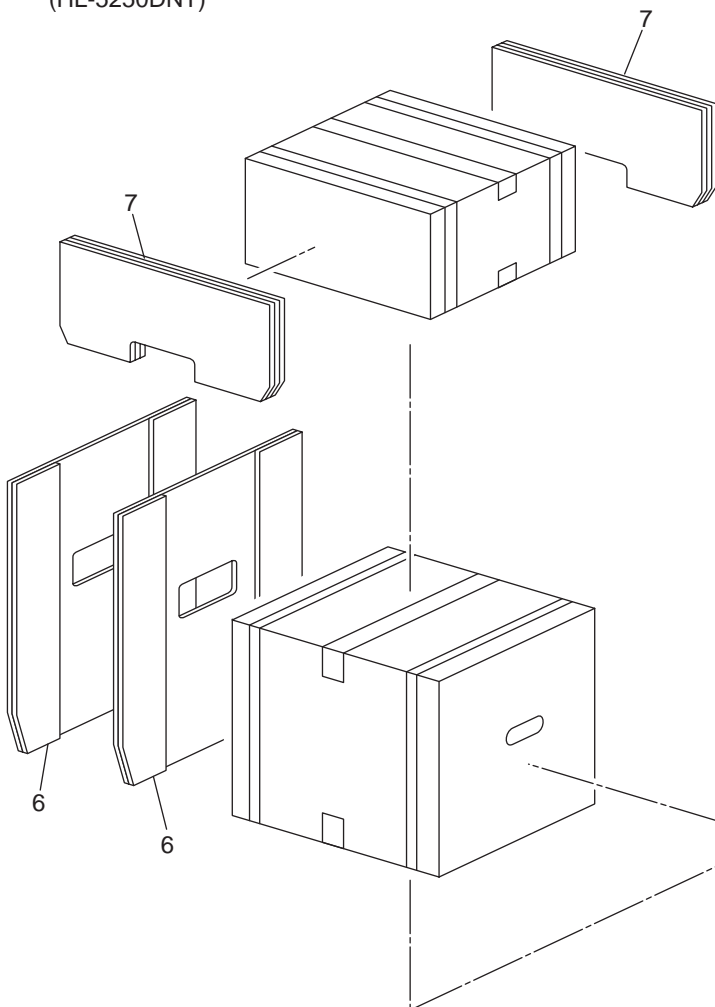
15. PACKING MATERIALS

REF No.	CODE	Q'TY	DESCRIPTION	REMARKS
1	LM5616001	1	CARTON HL-5240 US	
1	LL0943001	1	CARTON HL-5250 US/ HL-5250DNT US	
1	LM5841001	1	CARTON HL-5280DW US	
1	LM5639001	1	CARTON HL-5240 EU	
1	LU0525001	1	CARTON HL-5240L EU	
1	LM5699001	1	CARTON HL-5250DN EU	
1	LM5765001	1	CARTON HL-5270DN EU	
1	LM5837001	1	CARTON HL-5280DW EU	
1	LM5655001	1	CARTON HL-5240 CHN	
1	LM5722001	1	CARTON HL-5250DN CHN	
1	LM6786001	1	CARTON HL-5240 KOR	add
1	LU0245001	1	CARTON HL-5250DN KOR	ADD
1	LM6953001	1	CARTON HL-5240 IND	add
1	LM6956001	1	CARTON HL-5250DN IND	add
1	LU0052001	1	CARTON HL-5251DN COSIP ITA	add
2	LM5294001	1	POLYSTYRENE PAD ASSY AL 40/50	
2	LM5599001	1	POLYSTYRENE PAD ASSY AL 70/80	
3	LM5298001	1	OPTION CARTON AL	
4	LJ5584001	1	BAG, 700X800H	
5	LM5826001	1	CARTON OUTER 5250DNT US	
6	LM5829001	4	PAD 5250DNT A (HL-5250DNT US)	
7	LM2042001	2	PAD 5250LT B (HL-5250DNT US)	

15. PACKING MATERIALS



(HL-5250DNT)



16. PERIODICAL MAITENANCE PARTS

REF No.	CODE	Q'TY	DESCRIPTION	REMARKS
1	LM5852001	1	ROLLER HOLDER SP ASSY	
2	LM6753001	1	MP ROLLER HOLDER SP ASSY 2	CHG

16. PERIODICAL MAINTENANCE PARTS

